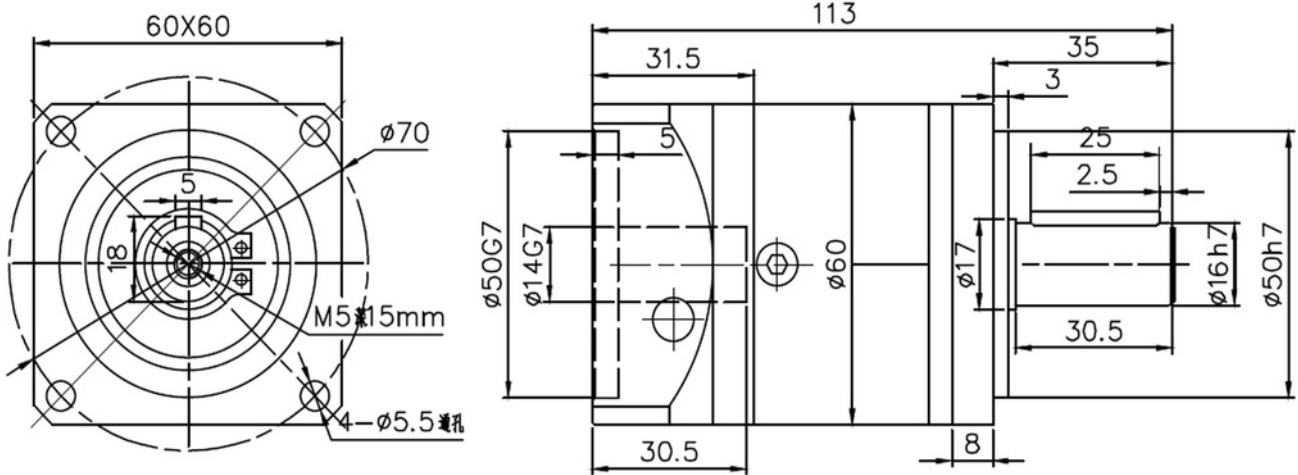
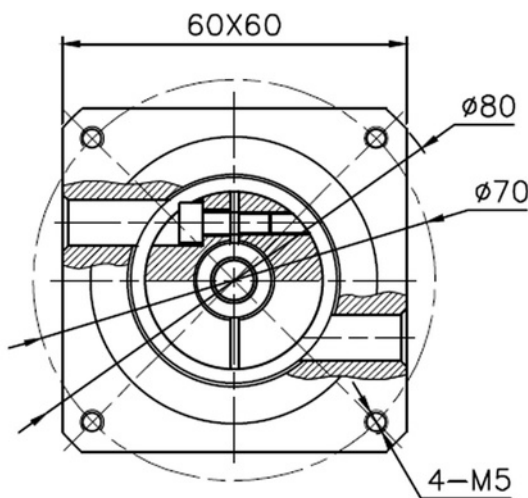


LB70-05

Output End



Input End



Non standard Parts:
Output Shaft 16mm

Instant Stop Torque: 2 times of rated torque

Max Radial Torque: 340N

Max Axial Torque: 450N

Full Load Efficiency: 96%

Backlash: ≤ 8 arcmin

Noise: 60dB(A), distance 1m

Ratio (rpm)	3	4	5	8	10
Torque (N · m)	12	16	16	15	15

CNC24.in

www.cnc24.in